



Features

Low Profile	✓
360 Degree LED Indication	✓
Lockable to base to stop unauthorised removal	✓
Remote LED Output	✓
Addressed with dip switches or a hand-held programmer	✓



Listings / Approvals

LPCB		✓
CPR	0832-CPR-F0236 0832-CPR-F0237 0832-CPR-F0238 0832-CPR-F0239	✓
CE		✓

The ProFyre addressable detector range has been designed to complement the ProFyre A4 and A2 analogue addressable control panels & the ProFyre T8 2-wire system. The range has been housed in a stylish and attractive moulding with 360 degree LED indication.

The addressable range comprises of an optical smoke detector, rate of rise heat detector, fixed heat detector and a combined smoke and heat detector.

ProFyre Addressable Optical Detector

The optical smoke detector uses a pulsing IR LED and photodiode to detect IR scatter caused by smoke entering the chamber. The detector is particularly suitable for detecting optically dense smoke, involving materials such as soft furnishings, PVC, plastic, foam and all similar materials which produce small visible particles (0.5 to 10µm).

ProFyre A2R Heat Detector (Rate of Rise)

The rate of rise heat detectors use a thermistor arrangement to sense a quick rise in temperature and also a fixed threshold temperature of 57°C.

ProFyre A2S Detector (Fixed Heat)

The fixed heat detector has a single thermistor arrangement that initiates an alarm at a temperature of 90°C.

ProFyre Addressable Combined Smoke & Heat Detector

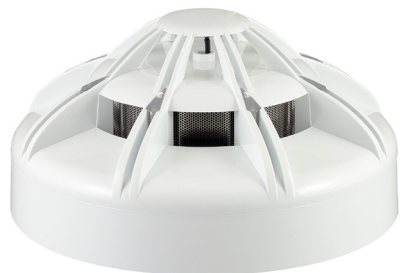
The combined smoke and heat detector uses a combination of features from the optical smoke detector and heat detector.



ProFyre Addressable Optical Smoke Detector



ProFyre Addressable Rate of Rise & Fixed Heat Detector

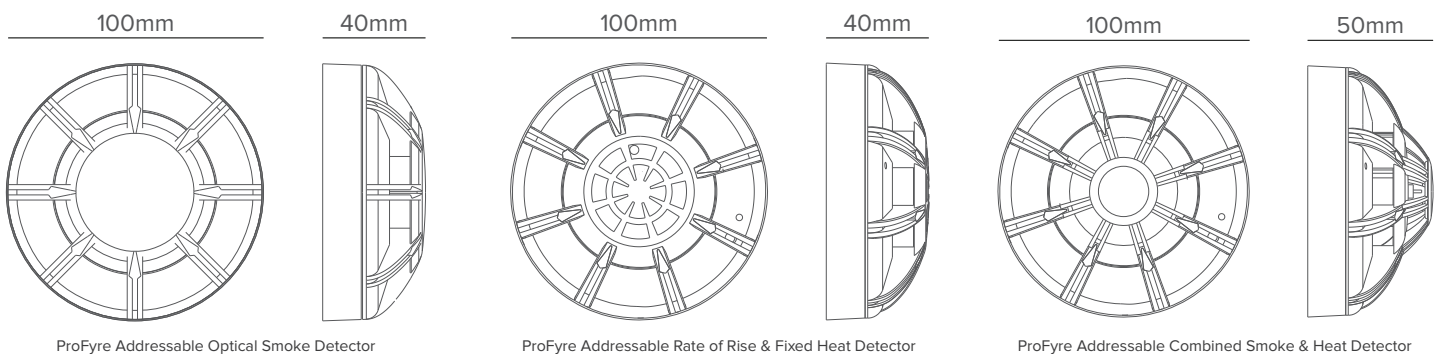


ProFyre Addressable Combined Smoke & Heat Detector



Technical Specification

Detector Class	Optical Smoke	Rate of Rise & Fixed Heat (A2R)	Fixed Heat (A2S)	Combined Smoke & Heat
Alarm Condition	2.4% obs/m	57°C	90°C	2.4% obs/m
Coverage	100m ²		50m ²	100m ²
Operating Voltage	10.50 to 33Vdc			
Quiescent Current	120µA (Max)		60µA (Max)	120µA (Max)
Alarm Current	45mA			
Remote Output	20mA at 24Vdc			
Operating Conditions	Tested to: -10°C to +50°C (14°F to 122°F) Maximum Continuous Temperature: 0°C (32°F) Humidity: 0% to 95% RH, non-condensing			
IP Rating	IP43			
Design Environment	Indoor Use Only			
Weight	0.075kg (0.16lbs)			



Ordering Information

16-050	ProFyre Addressable Optical Smoke Detector
16-051	ProFyre Addressable Rate of Rise Heat Detector
16-052	ProFyre Addressable Fixed Heat Detector
16-053	ProFyre Addressable Combined Smoke & Heat Detector

